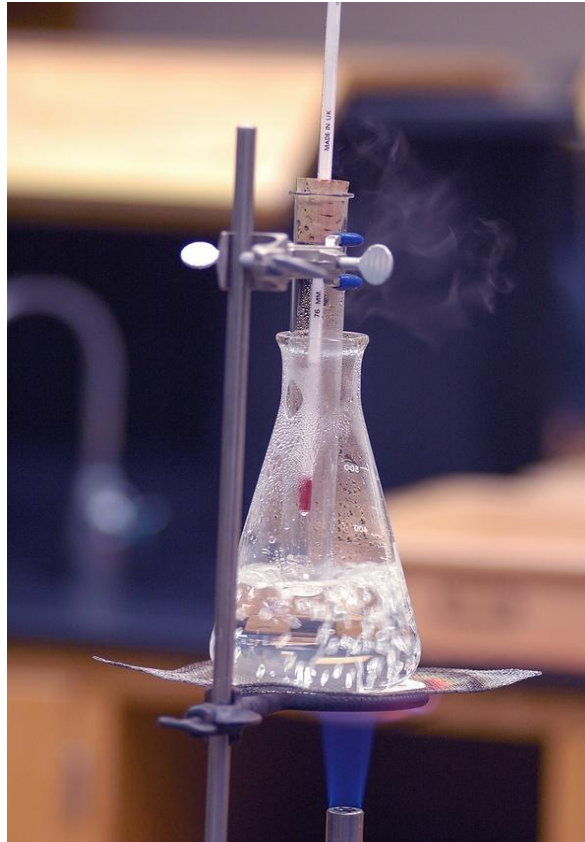


Tools

Picture Vocabulary

Tool



An object that helps you do work

Terrarium



A plastic or glass container in which plants grow

Aquarium



A plastic or glass container filled with water, fish and other aquatic animals

Microscope



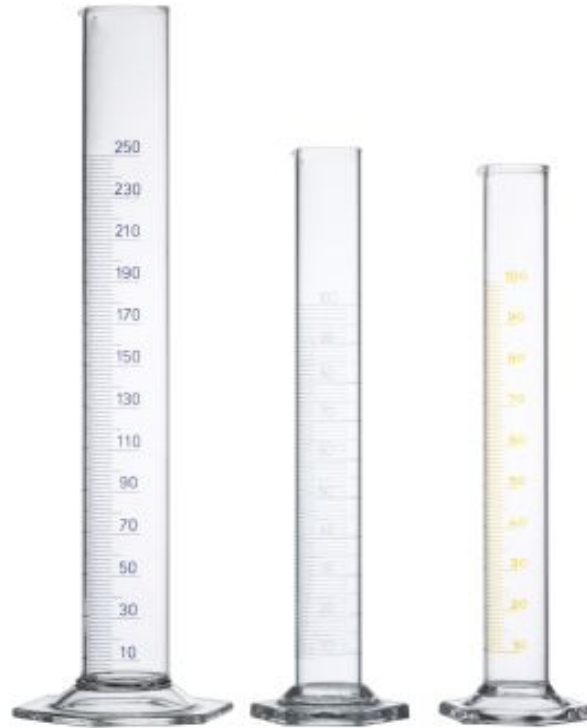
An instrument that uses a lens to make tiny things look larger

Beaker



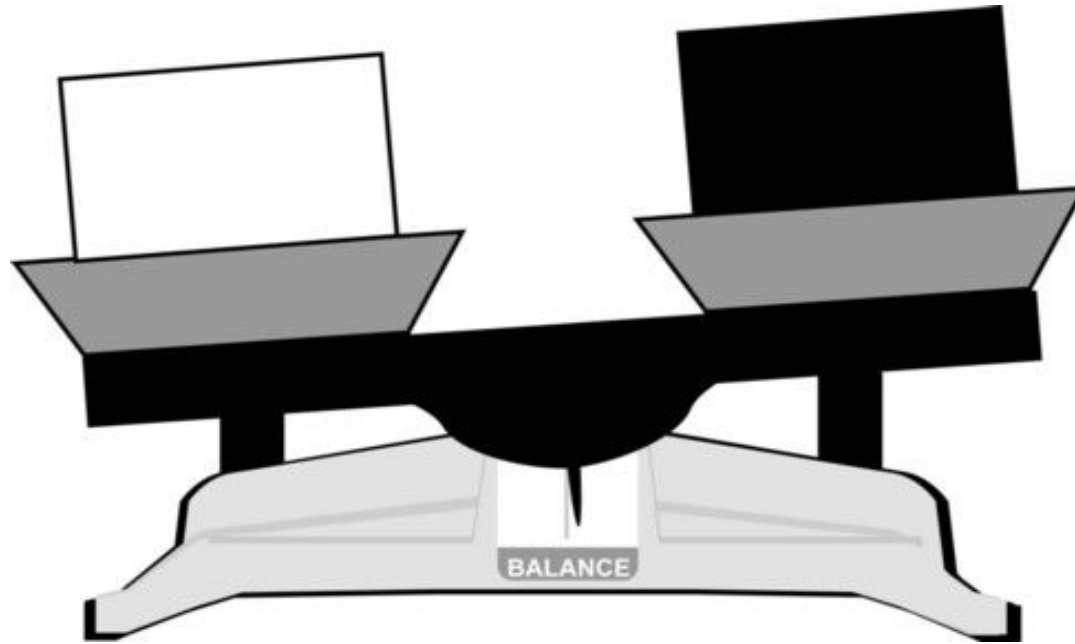
Cylinder shaped glass container used to mix or heat liquids

Graduated Cylinder



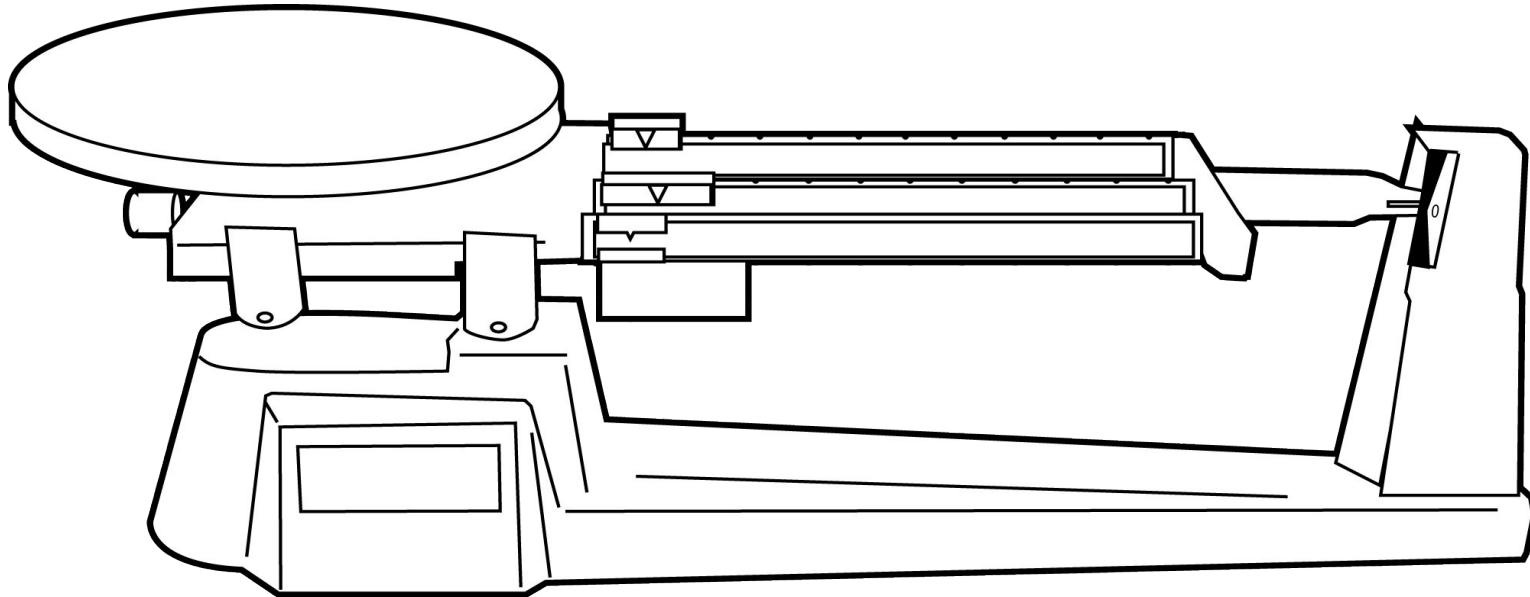
A container used to measure the volume of liquids

Pan Balance



A two-sided instrument that measures the mass of a solid substance

Triple beam balance



A tool used to measure mass that features three beams with sliding masses

Thermometer



A tool that measures temperature

Measurement



The process of using tools to observe an object's physical properties like mass, volume, temperature, etc.

Prism



An object made of clear plastic or glass
that bends light rays

Spring Scale



An instrument that measures Earth's gravitational pull on an object

Compass



An instrument that shows the directions North (N), South (S), East (E) and West (W)

Calculator



A device that performs math problems
with numbers entered by hand